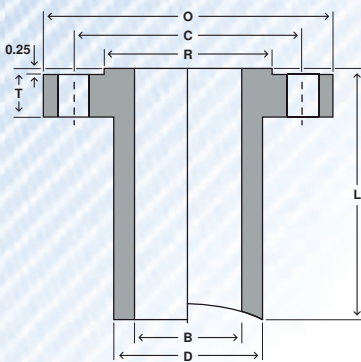
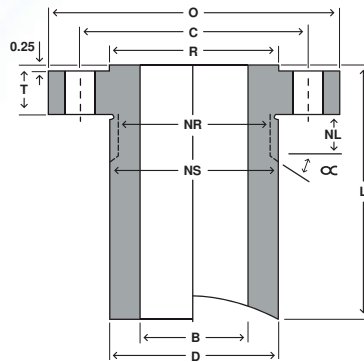


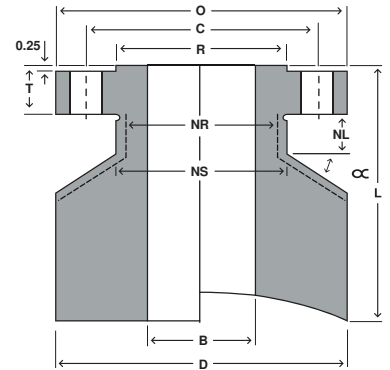
Class 2500 Standard Connection Specifications



LONG WELD NECK "LWN"



HEAVY BARREL "HB"



EQUAL BARREL "E"

Size		Flange			Barrel OD			Bolting			Nut			Stud Bolt			Weights					Length		
Nom	Bore LWN & E	Bore HB	OD	Thk	RF of OD	LWN	HB	E	# of Holes	Hole Size	Bolt Circle	Stop Dia	Relief Dia	Relief Length	Size	RF Length	RTJ Length	LWN		HB		E		Base
	B	B	O	T	R	D	D	D			C	NS	NR	NL				Base	Per 1"	Base	Per 1"	Base	Per 1"	L
1/2	0.50	0.55	5.25	1.19	1.38	1.81	2.25	5.25	4	0.88	3.50	2.25	1.81	1.00	3/4	4 3/4	4 3/4	11	0.7	14	1.1	45	6.1	9
3/4	0.75	0.74	5.50	1.25	1.69	2.06	2.50	5.50	4	0.88	3.75	2.50	2.06	1.00	3/4	5	5	13	0.8	17	1.3	49	6.6	9
1	1.00	0.96	6.25	1.38	2.00	2.25	2.81	6.25	4	1.00	4.25	2.81	2.25	1.12	7/8	5 1/2	5 1/2	18	0.9	22	1.6	62	8.5	9
1 1/4	1.25	1.28	7.25	1.50	2.50	2.88	3.50	7.25	4	1.12	5.12	3.50	2.88	1.25	1	6	6	27	1.5	32	2.4	84	11	9
1 1/2	1.50	1.50	8.00	1.75	2.88	3.12	3.94	8.00	4	1.25	5.75	3.94	3.12	1.38	1 1/8	6 3/4	6 3/4	33	1.7	42	3	94	14	9
2	2.00	1.94	9.25	2.00	3.62	3.75	5.12	9.25	8	1.12	6.75	5.12	3.75	1.25	1	7	7	48	2.2	66	5	131	18	9
2 1/2	2.50	2.32	10.50	2.25	4.12	4.50	5.94	10.50	8	1.25	7.75	5.94	4.50	1.38	1 1/8	7 3/4	8	66	3.1	90	6.7	165	23	9
3	3.00	2.90	12.00	2.62	5.00	5.25	7.00	12.00	8	1.38	9.00	7.00	5.25	1.50	1 1/4	8 3/4	9	97	4.1	127	9	210	30	9
4	4.00	3.83	14.00	3.00	6.19	6.50	8.38	14.00	8	1.62	10.75	8.38	6.50	1.75	1 1/2	10	10 1/4	159	5.8	218	12	391	40	12
5	5.00	4.81	16.50	3.62	7.31	8.00	10.00	16.50	8	1.88	12.75	10.00	8.00	2.00	1 3/4	11 3/4	12 1/4	248	8.7	319	17	518	55	12
6	6.00	5.76	19.00	4.25	8.50	9.25	11.38	19.00	8	2.12	14.50	11.38	9.25	2.25	2	13 1/2	14	358	11	441	21	641	73	12
8	8.00	7.62	21.75	5.00	10.62	12.00	14.12	21.75	12	2.12	17.25	14.12	12.00	2.25	2	15	15 1/2	589	18	743	31	1167	92	16
10	10.00	9.56	26.50	6.50	12.75	14.75	17.38	26.50	12	2.62	21.25	17.38	14.75	2.75	2 1/2	19 1/4	20	997	26	1202	47	1625	134	16
12	12.00	11.38	30.00	7.25	15.00	17.38	20.12	30.00	12	2.88	24.38	20.12	17.38	3.00	2 3/4	21 1/4	22	1363	35	1609	61	1995	168	16

For intermediate connections, see subcategory under Flange Dims/Weights at www.texasflange.com.

DIMENSIONS ARE IN INCHES | WEIGHTS ARE IN POUNDS

