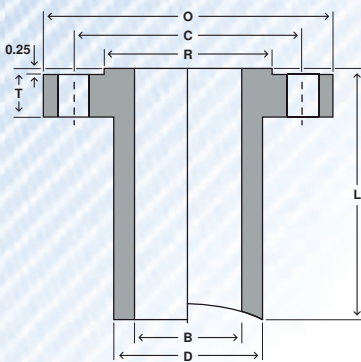
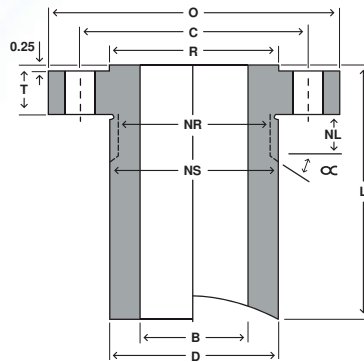


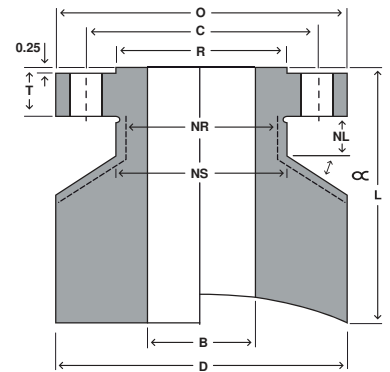
Class 600 Standard Connection Specifications



LONG WELD NECK "LWN"



HEAVY BARREL "HB"



EQUAL BARREL "E"

Size		Flange				Barrel OD			Bolting			Nut			Stud Bolt			Weights						Length
Nom	Bore LWN & E	Bore HB	OD	Thk	RF of OD	LWN	HB	E	# of Holes	Hole Size	Bolt Circle	Stop Dia	Relief Dia	Relief Length	Size	RF Length	RTJ Length	LWN		HB		E		Base
	B	B	O	T	R	D	D	D			C	NS	NR	NL				Base	Per 1"	Base	Per 1"	Base	Per 1"	L
1/2	0.50	0.55	3.75	0.56	1.38	1.50	1.75	3.75	4	0.62	2.62	1.75	1.50	0.75	1/2	3	3	5	0.4	7	0.6	24	3.1	9
3/4	0.75	0.74	4.62	0.62	1.69	1.88	2.19	4.62	4	0.75	3.25	2.19	1.88	0.88	5/8	3 1/2	3 1/2	8	0.7	11	0.9	36	4.6	9
1	1.00	0.96	4.88	0.69	2.00	2.12	2.44	4.88	4	0.75	3.50	2.44	2.12	0.88	5/8	3 1/2	3 1/2	9	0.8	12	1.1	39	5.1	9
1 1/4	1.25	1.28	5.25	0.81	2.50	2.50	2.81	5.25	4	0.75	3.88	2.81	2.50	0.88	5/8	3 3/4	3 3/4	13	1	15	1.4	44	5.8	9
1 1/2	1.50	1.50	6.12	0.88	2.88	2.75	3.25	6.12	4	0.88	4.50	3.25	2.75	1.00	3/4	4 1/4	4 1/4	16	1.2	21	1.9	59	7.8	9
2	2.00	1.94	6.50	1.00	3.62	3.31	3.94	6.50	8	0.75	5.00	3.94	3.31	0.88	5/8	4 1/4	4 1/4	20	1.5	29	2.6	67	8.5	9
2 1/2	2.50	2.32	7.50	1.12	4.12	3.94	4.62	7.50	8	0.88	5.88	4.62	3.94	1.00	3/4	5	4 3/4	27	2.1	39	3.6	85	11	9
3	3.00	2.90	8.25	1.25	5.00	4.62	5.38	8.25	8	0.88	6.62	5.38	4.62	1.00	3/4	5	5 1/4	36	2.7	50	4.6	104	13	9
3 1/2	3.50	3.36	9.00	1.38	5.50	5.25	5.81	9.00	8	1.00	7.25	5.81	5.25	1.12	7/8	5 1/2	5 1/2	45	3.4	57	5	116	15	9
4	4.00	3.83	10.75	1.50	6.19	6.00	7.06	10.75	8	1.00	8.50	7.06	6.00	1.12	7/8	5 3/4	6	77	4.5	113	7.8	238	22	12
5	5.00	4.81	13.00	1.75	7.31	7.50	8.88	13.00	8	1.12	10.50	8.88	7.50	1.25	1	6 1/2	6 1/2	123	7	180	12	336	32	12
6	6.00	5.76	14.00	1.88	8.50	8.75	9.88	14.00	12	1.12	11.50	9.88	8.75	1.25	1	6 3/4	7	152	9	207	14	373	36	12
8	8.00	7.62	16.50	2.19	10.62	10.75	11.94	16.50	12	1.25	13.75	11.94	10.75	1.38	1 1/8	7 3/4	8	207	11	277	19	478	46	12
10	10.00	9.56	20.00	2.50	12.75	13.50	15.00	20.00	16	1.38	17.00	15.00	13.50	1.50	1 1/4	8 1/2	8 3/4	324	18	433	30	683	67	12
12	12.00	11.38	22.00	2.62	15.00	15.75	17.25	22.00	20	1.38	19.25	17.25	15.75	1.50	1 1/4	8 3/4	9	393	23	533	37	779	76	12
14	14.00	14.00	23.75	2.75	16.25	17.00	18.56	23.75	20	1.50	20.75	18.56	17.00	1.62	1 3/8	9 1/4	9 1/2	471	21	631	33	1149	82	16
16	16.00	16.00	27.00	3.00	18.50	19.50	21.38	27.00	20	1.62	23.75	21.38	19.50	1.75	1 1/2	10	10 1/4	638	28	856	45	1471	105	16
18	18.00	18.00	29.25	3.25	21.00	21.50	23.19	29.25	20	1.75	25.75	23.19	21.50	1.88	1 5/8	10 3/4	11	731	31	941	48	1628	118	16
20	20.00	20.00	32.00	3.50	23.00	24.00	25.94	32.00	24	1.75	28.50	25.94	24.00	1.88	1 5/8	11 1/2	11 3/4	916	39	1180	61	1920	139	16
24	24.00	24.00	37.00	4.00	27.25	28.25	30.06	37.00	24	2.00	33.00	30.06	28.25	2.12	1 7/8	13	13 1/2	1210	49	1486	73	2376	176	16

For intermediate connections, see subcategory under Flange Dims/Weights at www.texasflange.com.

DIMENSIONS ARE IN INCHES | WEIGHTS ARE IN POUNDS

