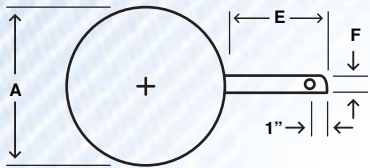
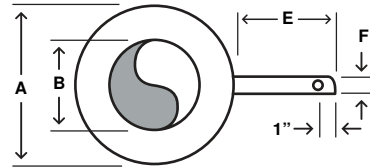


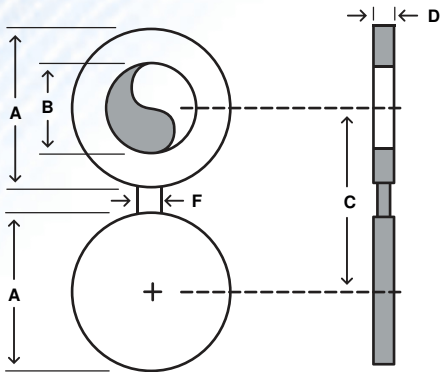
Line Blinds Class 600



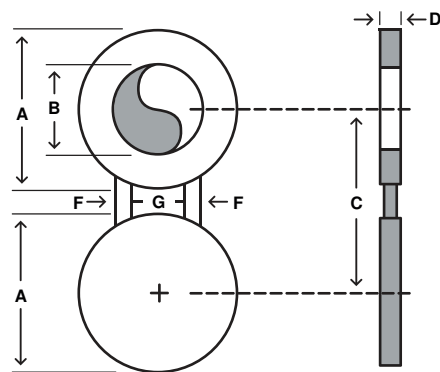
PADDLE BLANK TYPE 1



PADDLE SPACER TYPE 2



SPECTACLE BLIND TYPE 3



SPECTACLE BLIND TYPE 4

SIZE	A	B	C	D	E	F	G	Weights		
								1	2	3,4
1	2 3/4	1.50	3 1/2	1/4	4	1	1	1	1
1 1/2	3 5/8	1.68	4 1/2	3/8	4	1	1	1	2
2	4 1/4	2.16	5	3/8	4	1	2	1	3
2 1/2	5	2.64	5 7/8	1/2	4	1	3	2	4
3	5 3/4	3.26	6 5/8	1/2	4	1	5	4	7
4	7 1/2	4.26	8 1/2	5/8	4	1	9	7	14
6	10 3/8	6.36	11 1/2	7/8	4	1	23	17	36
8	12 1/2	8.33	13 3/4	1 1/8	4	1	42	27	65
10	15 5/8	10.42	17	1 3/8	5	1 1/2	1 1/2	85	53	132
12	17 3/4	12.39	19 1/4	1 5/8	5	1 1/2	1 1/2	127	73	193
14	19 1/8	13.62	20 3/4	1 3/4	5	1 1/2	1 3/4	147	79	218
16	22	15.62	23 3/4	2	5	1 1/2	1 3/4	237	140	365
18	23 7/8	17.62	25 3/4	2 1/8	5	1 1/2	2	310	153	450
20	26 5/8	19.56	28 1/2	2 1/2	6	1 1/2	2	405	235	625
24	30 7/8	23.50	33	2 7/8	6	1 1/2	2 1/4	645	335	970

*Based on ASME B16.48

DIMENSIONS ARE IN INCHES | WEIGHTS ARE IN POUNDS

