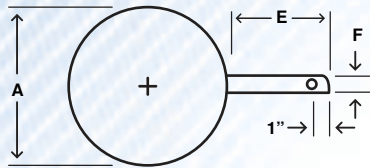
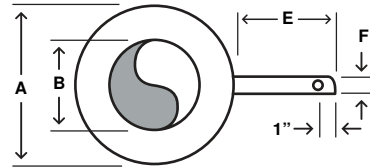


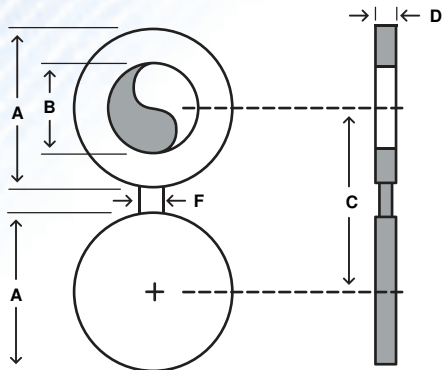
Line Blinds Class 300



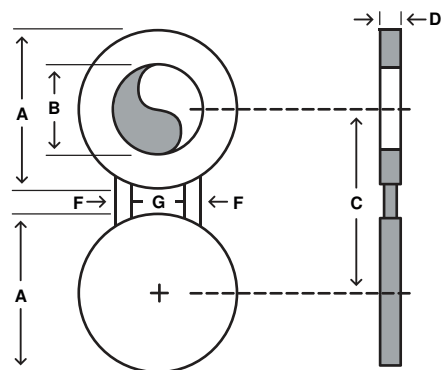
PADDLE BLANK TYPE 1



PADDLE SPACER TYPE 2



SPECTACLE BLIND TYPE 3



SPECTACLE BLIND TYPE 4

SIZE	A	B	C	D	E	F	G	Weights		
								1	2	3,4
1	2 3/4	1.05	3 1/2	1/4	4	1	1	1	1
1 1/2	3 5/8	1.90	4 1/2	1/4	4	1	1	1	2
2	4 1/4	2.38	5	3/8	4	1	2	1	2
2 1/2	5	2.88	5 7/8	3/8	4	1	3	2	4
3	5 3/4	3.50	6 5/8	3/8	4	1	3	3	4
4	7	4.50	7 7/8	1/2	4	1	7	5	10
6	9 3/4	6.62	10 5/8	5/8	4	1	15	10	22
8	12	8.62	13	7/8	4	1	26	15	38
10	14 1/8	10.75	15 1/4	1	5	1	47	25	67
12	16 1/2	12.75	17 3/4	1 1/4	5	1 1/2	1 1/2	79	39	113
14	18 7/8	14.00	20 1/4	1 1/4	5	1 1/2	1 1/2	103	54	150
16	21	16.00	22 1/2	1 1/2	5	1 1/2	1 1/2	151	74	218
18	23 1/4	18.00	24 3/4	1 5/8	5	1 1/2	1 1/2	200	92	285
20	25 1/2	20.00	27	1 7/8	6	1 1/2	1 1/2	280	124	390
24	30 1/4	24.00	32	2	6	1 1/2	1 1/2	470	200	650
30	37 1/4	30.00	39 1/4	2 5/8	6	1 1/2	1 1/2	860	340	1190

*Based on ASME B16.48

DIMENSIONS ARE IN INCHES | WEIGHTS ARE IN POUNDS

