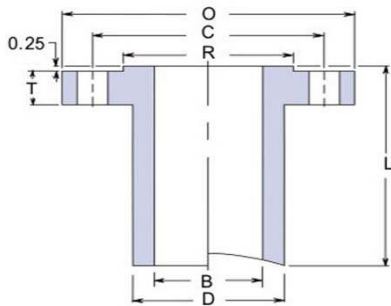
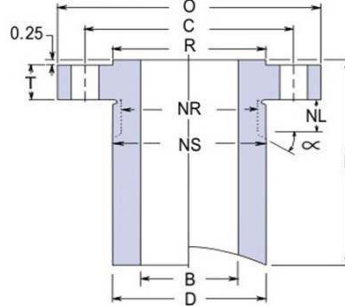


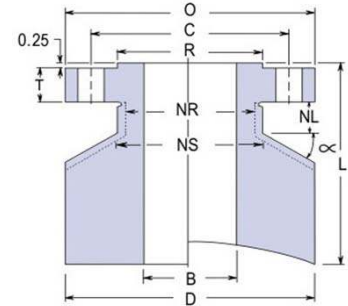
Class 900 - Standard Connection Specifications



LONG WELD NECK "LWN"



HEAVY BARREL "HB"



EQUAL BARREL "E"

Size		Flange				Barrel OD			Bolting			Nut			Stud Bolt			Weights					Length	
Nom	Bore LWN & E	Bore HB	OD	Thk	RF of OD	LWN	HB	E	# of Holes	Hole Size	Bolt Circle	Stop Dia	Relief Dia	Relief Length	Size	RF Length	RTJ Length	LWN		HB		E		Base
	B	B	O	T	R	D	D	D			C	NS	NR	NL		h	h	Base	Per 1"	Base	Per 1"	Base	Per 1"	L
1/2	0.50	0.55	4.75	0.88	1.38	1.56	2.00	4.75	4	0.88	3.25	2.00	1.56	1.00	3/4	4 1/4	4 1/4	8	0.5	10	0.8	37	5	9
3/4	0.75	0.74	5.12	1.00	1.69	1.81	2.25	5.12	4	0.88	3.50	2.25	1.81	1.00	3/4	4 1/2	4 1/2	10	0.6	13	1	42	5.7	9
1	1.00	0.96	5.88	1.12	2.00	2.12	2.56	5.88	4	1.00	4.00	2.56	2.12	1.12	7/8	5	5	13	0.8	17	1.3	54	7.5	9
1 1/4	1.25	1.28	6.25	1.12	2.50	2.50	2.94	6.25	4	1.00	4.38	2.94	2.50	1.12	7/8	5	5	17	1	20	1.6	61	8.3	9
1 1/2	1.50	1.50	7.00	1.25	2.88	2.75	3.25	7.00	4	1.12	4.88	3.25	2.75	1.25	1	5 1/2	5 1/2	21	1.2	26	1.9	77	10	9
2	2.00	1.94	8.50	1.50	3.62	4.12	5.06	8.50	8	1.00	6.50	5.06	4.12	1.12	7/8	5 3/4	5 3/4	42	2.9	56	4.9	115	15	9
2 1/2	2.50	2.32	9.62	1.62	4.12	4.88	5.88	9.62	8	1.12	7.50	5.88	4.88	1.25	1	6 1/4	6 1/4	56	3.9	75	6.5	144	19	9
3	3.00	2.90	9.50	1.50	5.00	5.00	6.06	9.50	8	1.00	7.50	6.06	5.00	1.12	7/8	5 3/4	5 3/4	51	3.6	71	6.3	139	18	9
4	4.00	3.83	11.50	1.75	6.19	6.25	7.44	11.50	8	1.25	9.25	7.44	6.25	1.38	1 1/8	6 3/4	6 3/4	93	5.1	133	9.1	270	26	12
5	5.00	4.81	13.75	2.00	7.31	7.50	9.00	13.75	8	1.38	11.00	9.00	7.50	1.50	1 1/4	7 1/2	7 1/2	135	7	194	13	376	37	12
6	6.00	5.76	15.00	2.19	8.50	9.25	10.69	15.00	12	1.25	12.50	10.69	9.25	1.38	1 1/8	7 1/2	7 3/4	191	11	259	18	436	42	12
8	8.00	7.62	18.50	2.50	10.62	11.75	13.31	18.50	12	1.50	15.50	13.31	11.75	1.62	1 3/8	8 3/4	8 3/4	297	16	389	27	626	62	12
10	10.00	9.56	21.50	2.75	12.75	14.50	16.31	21.50	16	1.50	18.50	16.31	14.50	1.62	1 3/8	9 1/4	9 1/4	422	25	558	39	824	81	12
12	12.00	11.38	24.00	3.12	15.00	16.50	18.81	24.00	20	1.50	21.00	18.81	16.50	1.62	1 3/8	10	10	518	29	715	50	984	96	12
14	14.00	14.00	25.25	3.38	16.25	17.75	19.62	25.25	20	1.62	22.00	19.62	17.75	1.75	1 1/2	10 3/4	11	624	26	817	42	1368	98	16
16	16.00	16.00	27.75	3.50	18.50	20.00	21.69	27.75	20	1.75	24.25	21.69	20.00	1.88	1 5/8	11 1/4	11 1/2	750	32	942	48	1573	114	16
18	18.00	18.00	31.00	4.00	21.00	22.25	24.06	31.00	20	2.00	27.00	24.06	22.25	2.12	1 7/8	12 3/4	13 1/4	950	38	1169	57	1898	142	16
20	20.00	20.00	33.75	4.25	23.00	24.50	26.38	33.75	20	2.12	29.50	26.38	24.50	2.25	2	13 3/4	14 1/4	1121	43	1378	66	2182	164	16
24	24.00	24.00	41.00	5.50	27.25	29.50	31.62	41.00	20	2.62	35.50	31.62	29.50	2.75	2 1/2	17 1/4	18	1865	65	2160	94	3084	246	16

Dimensions are in inches. Weights are in pounds.